



Thank you for choosing our Autonics product. Please read the following safety considerations before use.

Safety Considerations

Warning: Failure to follow these instructions may result in serious injury or death. Caution: Failure to follow these instructions may result in personal injury or product damage. 1. Fall-safe device must be installed when using the unit with machinery that may cause serious injury or substantial economic loss...

Manual

For the detail information and instructions, please refer to user manual and be sure to follow cautions. Visit our homepage (www.autonics.com) to download manuals.

Ordering Information

Table with columns for CX, S, 1P, 4, F and rows for Signal input method, Power supply, Output, Size, Display digit, Item.

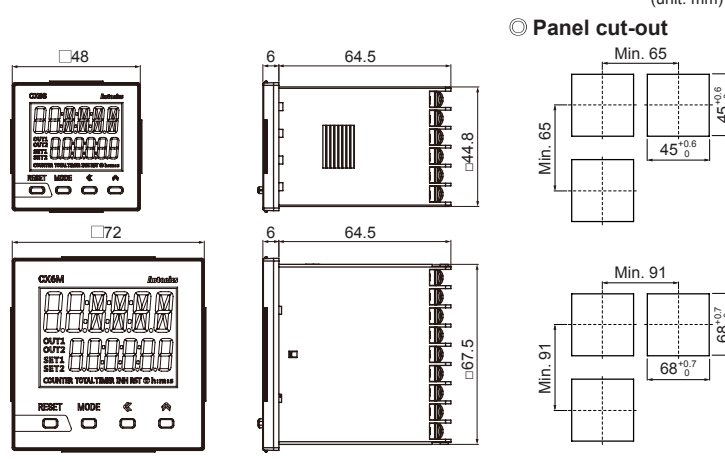
Unit Description

1. Counting value display component (red) RUN mode: Displays counting value for counter operation or time progress value for timer operation. 2. Setting value display component (green) RUN mode: Displays setting value. 3. Time unit indicator (hm:s) Turns ON for time unit for timer.

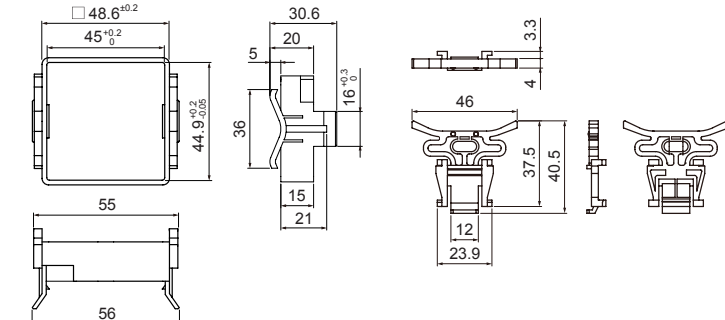
Specifications

Table with columns for Model (CX6S-1P, CX6S-2P, CX6M-1P, CX6M-2P) and rows for Display digits, Display method, Character size, Power supply, Permissible voltage range, AC voltage, AC/DC voltage, Max. IN/INH counting speed, Counter, Scale, Time range, Operation mode, Repeat error, Input method, One-shot output time, Control, External power supply, Memory retention, Insulation resistance, Dielectric strength, Noise immunity, Vibration, Shock, Relay life cycle, Protection structure, Environment, Approval, AC voltage, AC/DC voltage.

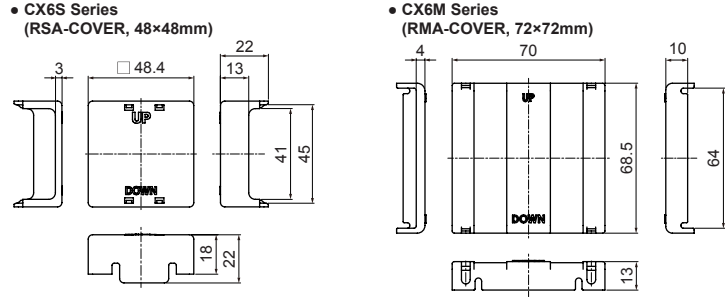
Dimensions



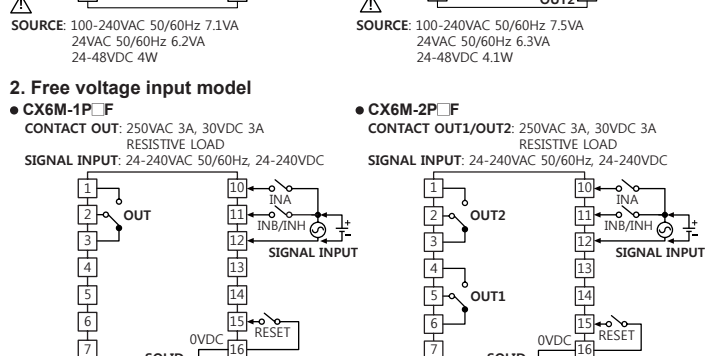
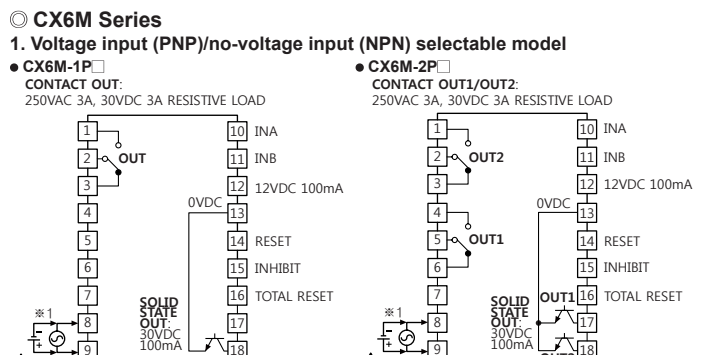
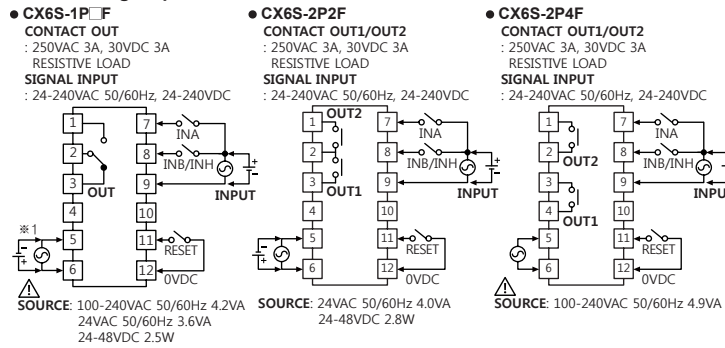
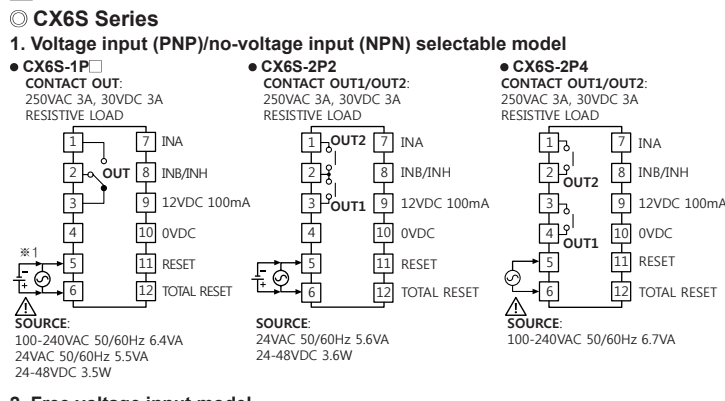
Bracket



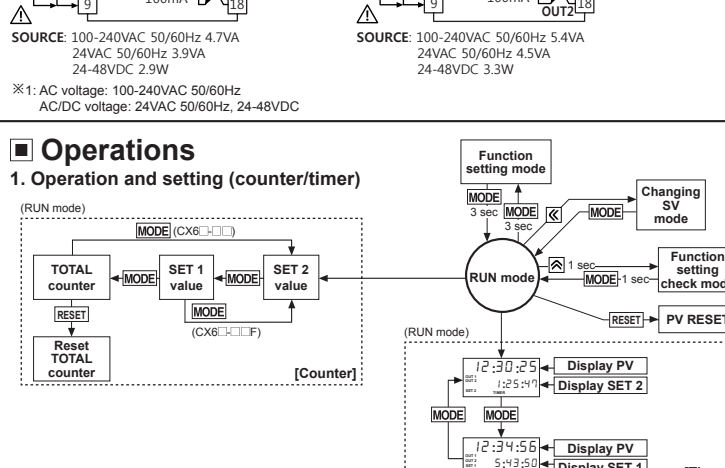
Terminal cover (sold separately)



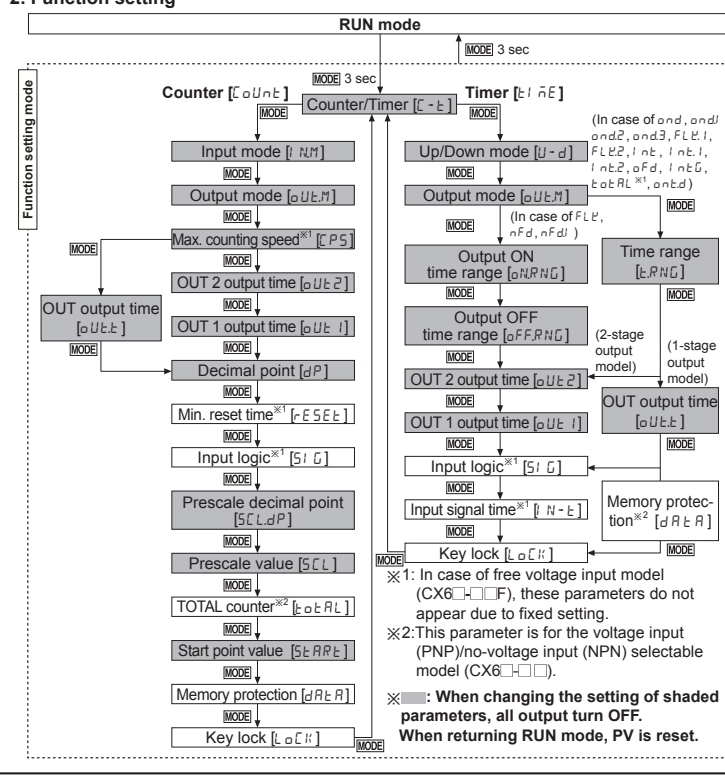
Connections



Operations



1-1. Function setting mode: Hold the MODE key over 3 sec to enter function setting mode in RUN mode. 1-2. Function setting check mode: Hold the MODE key over 1 sec to enter function setting check mode in RUN mode.

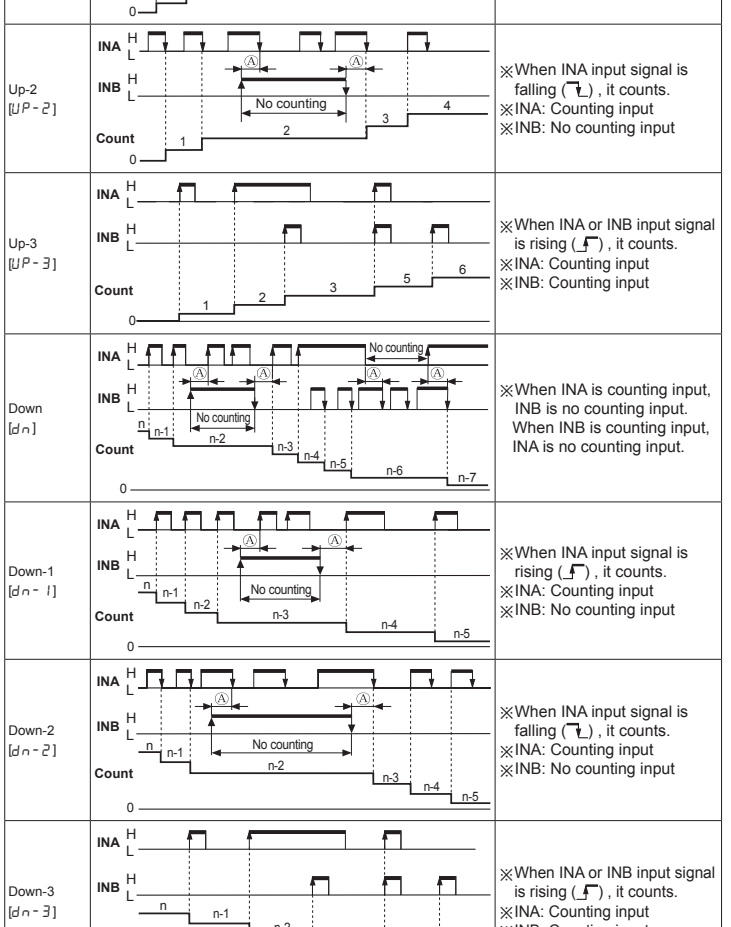


Counter Mode

Parameter setting table for Counter Mode with columns for Parameter and Parameter setting value. Includes Counter/Timer, Input mode, Output mode, Max. counting speed, etc.

1. Parameter setting: For voltage input (PNP), no-voltage input (NPN) model (CX6□□□), these parameters do not appear due to fixed setting.

Input mode



Factory Default

Table showing factory default values for parameters like I, INH, OUT-C, OUT-F, etc.

1. For 1-stage setting model (CX6□-1P□□), OUT 1 does not appear. 2. This is for the voltage input (PNP)/no-voltage input (NPN) selectable model (CX6□□□□).

Error Display and Output Operation

Table with columns for Error Display, Error description, Troubleshooting.

When error occurs, the output turns OFF. When '1st setting value is set as 0 (zero)', OUT1 maintains OFF.

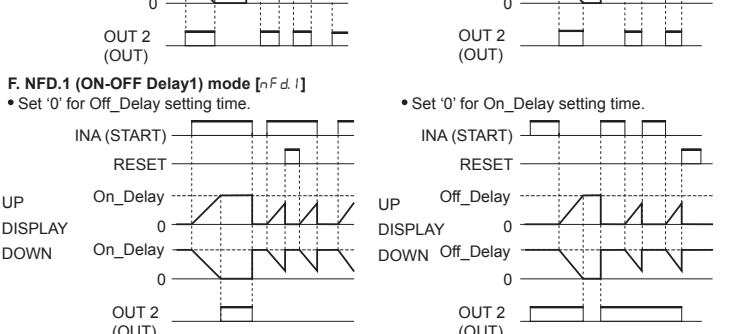
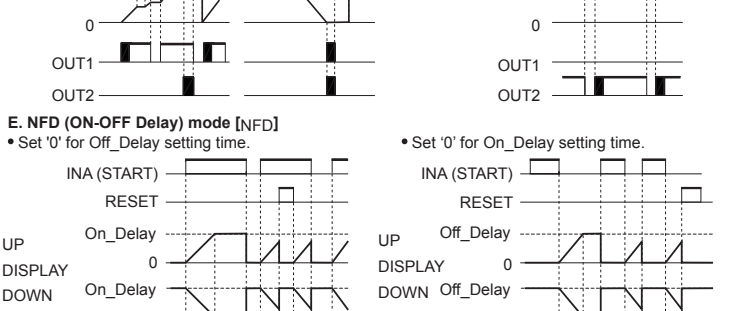
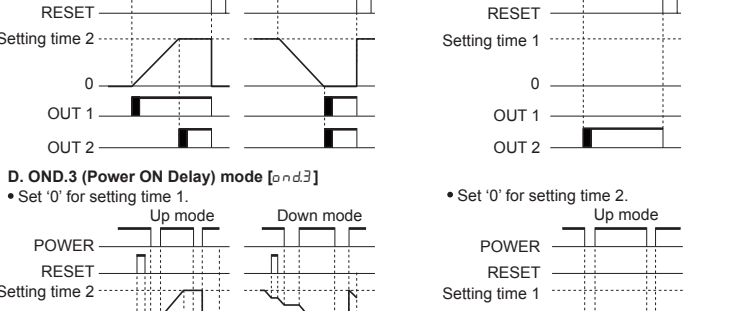
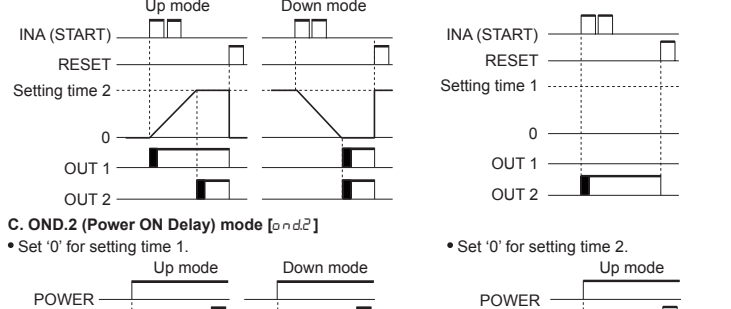
Major Products

- Photoelectric Sensors, Temperature Controllers, Laser Marking System, etc.

Timer Mode

Parameter setting table for Timer Mode with columns for Parameter and Parameter setting value. Includes Counter/Timer, Up/Down mode, Output mode, etc.

2. Timer '0' time setting: When '0' is set for setting time, the output turns OFF.



Factory Default

Table showing factory default values for parameters like I, INH, OUT-C, OUT-F, etc.

1. For 1-stage setting model (CX6□-1P□□), OUT 1 does not appear. 2. This is for the voltage input (PNP)/no-voltage input (NPN) selectable model (CX6□□□□).

Major Products

- Photoelectric Sensors, Temperature Controllers, Laser Marking System, etc.